



straumann



Sherpa

Sherpa





Milling head
Efficient cutting and collection of fodder

Elevator
Positioned in the centre of the milling head for optimum transfer of material to the mixer

Compact dimensions
For easy access

Vario mixing auger
Fast homogeneous mixing

The Sherpa - Enter into the world of self-propelled feeder mixers

The Strautmann Sherpa – The entry level

- Very easy to manoeuvre
- Low overall height
- Simple
- The perfect model to start off with

The new generation of Strautmann self-propelled feeder mixers

Makes the labour-intensive feeding procedure much easier thus saving time and money. Homogeneously mixed components mean the cows can no longer select the fodder

→ Higher milk yield with improved ingredients

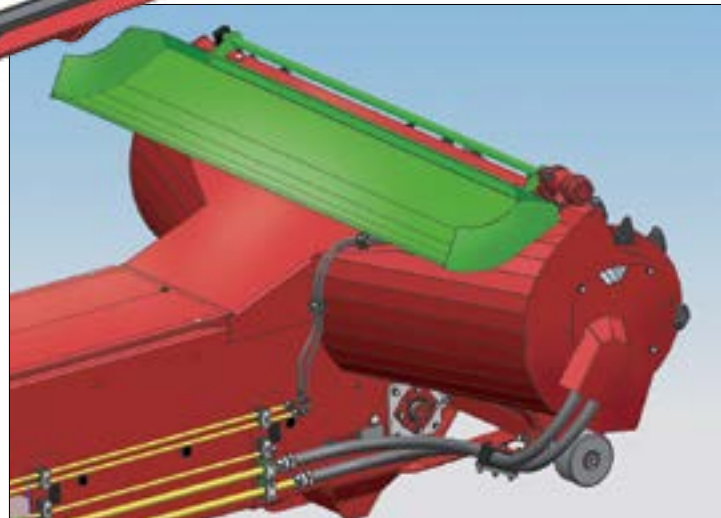
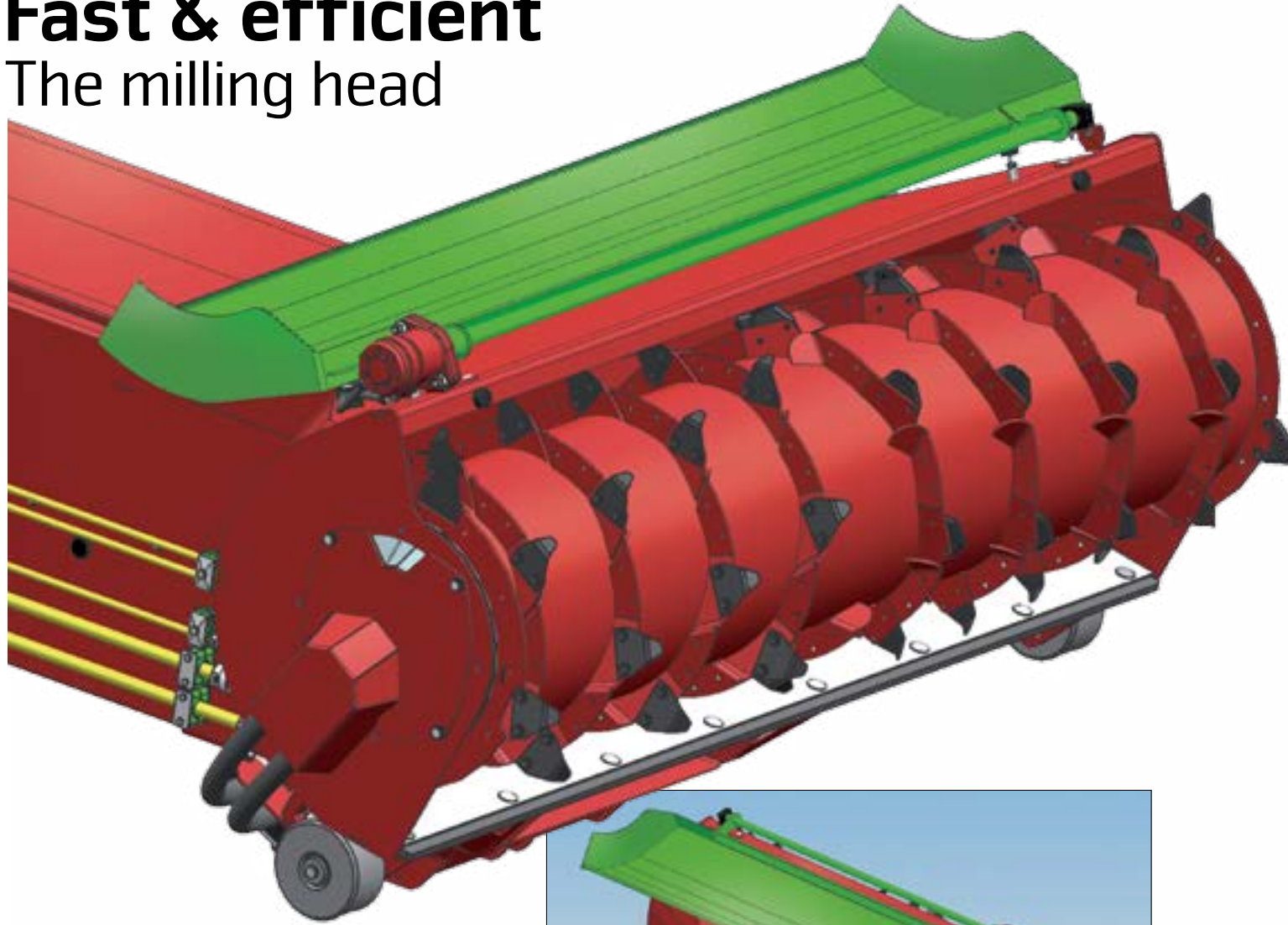
All animals are fed the optimum ration from the physiological point of view and less prone to diseases. Healthy cows are more profitable cows.

Contents

The loading system	4-5
Vario mixing auger	6-7
Safety & comfort	8
Travel and mix	9
Performance & operation	10
Technical data	11

Fast & efficient

The milling head



Fast loading

- High-performance milling cutter equipped with 60 cranked knives for gentle pick-up and optimum cut surface shape
- Clean and fast pick-up of loose bulk materials and all kinds of silage
- Reversible conveyor option. To convey excess fodder back to the feed storage area when the desired ration weight is reached.

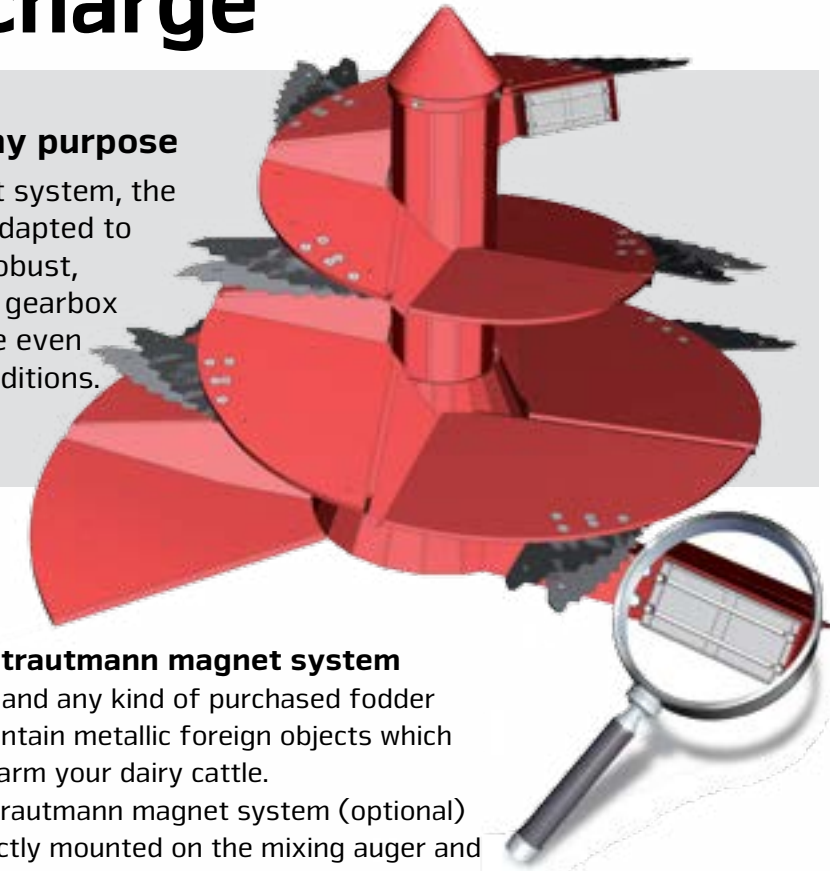
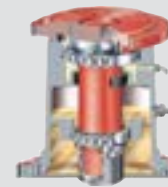




Top mixing performance and optimum discharge

The Vario mixing auger – Variability and strength for any purpose

Due to the patented knife adjustment system, the Vario mixing auger can be perfectly adapted to your specific conditions of use. The robust, low-maintenance auger gearbox ensures long service life even under unfavourable conditions.



The Strautmann magnet system

Silage and any kind of purchased fodder can contain metallic foreign objects which may harm your dairy cattle. The Strautmann magnet system (optional) is directly mounted on the mixing auger and very effective due to direct contact with the mixed fodder.



Result after 14 days of using our magnets (wedding ring as reference in the bottom right of the photo)

Discharge options

Machines are equipped with 1 discharge door as standard (further doors and options to suit individual situations are available)

- At the right-hand front and/or the left-hand rear



Safety & comfort . . .

Driver's cab

Safety glass on 3 sides with a curved front screen for maximum visibility

Heated outside mirrors

Air-suspended drivers seat

Adjustable steering column

Double windscreen wiper



. . . when driving and mixing



Mixer drive

- Hydrostatical with 2 speed levels

Loading arm lowering

- Manual

Counter-cutters

- Manual operation (hydraulic operation - from the drivers seat - available as an optional extra)
- Enable chopping of whole bales and optimise the mixing quality

Axle & suspension;

- Standard unsprung axles (15 km/h)
- With 25 km/h hydraulic suspension
- Rigid front axle, rear steering axle
- Very easy to manoeuvre
- Steering angle of 55°
- Differential lock

Lighting & camera

- Lighting for road traffic according to STVZO (note of transl.: German Road Traffic Licensing Code)
- 2 work lights on the cabin
- 2 reversing lights (optional)
- 2 work lights on the discharge (optional)
- 2 work lights on the bottom of the pick-up arm (optional)
- Standard with rear-view camera
- Mixing tub camera with work light (optional)



High performance – easy operation

4-cylinder engine

- High performance with low fuel consumption
- 106 kW/144 HP with 2000 rpm, 556 Nm with 1400 rpm



Operation

- Operation via joystick and toggle switches for secondary functions
- Easy-to-use display with an overview of the most important functions and actions



Fodder mixing wagon Verti-Mix Sherpa 1201 – 1401

Technical data

Model		Sherpa 1201	Sherpa 1401
Dimensions			
Total length	m	8,25	8,25
Total width			
- with one-sided discharge	m	2,52	2,52
- with two-sided discharge	m	2,62	2,62
Total height	m	2,54	2,79
Wheelbase	m	3,86	3,86
Outside wheel width			
- Front	m	2,31	2,31
- Rear	m	1,94	1,94
Turning radius			
- Outside front	m	5,26	5,26
- Outside rear	m	5,73	5,73
- Inside	m	1,43	1,43
Usable mixing capacity	m	12,0	14,0
Pick-up width	m	2,00	2,00
Pick-up height	m	4,00	4,00
Conveyor drum diameter	m	0,61	0,61
Elevator width	m	0,58	0,58
Dead weight approx.	m	10200	10300





strautmann



Strautmann main production facility in Bad Laer

www.strautmann.com

B. Strautmann & Söhne GmbH u. Co. KG is a medium-sized family-owned company from the administrative district of Osnabrück having already celebrated its 80th anniversary of existence and now being managed by the third generation. In a modern plant at the second production site in Lwówek (Poland), Strautmann manufactures individual machine components and some whole machines such as tipping

trailers, silage shovels or shear grabs. A machine manufacturer offering a wide range of machinery for cattle feeding, green forage harvesting, spreading and transport technology. Strautmann also works in the field of loading and maturing technology for biogas plants. A competent partner for almost any customer working in these industries.



Pol-Strautmann



B. Strautmann & Söhne GmbH u. Co. KG

Bielefelder Straße 53 · D-49196 Bad Laer · Tel.: +49 (0)5424/802-0 · Fax: +49 (0)5424/802-76 · info@strautmann.com · www.strautmann.com